

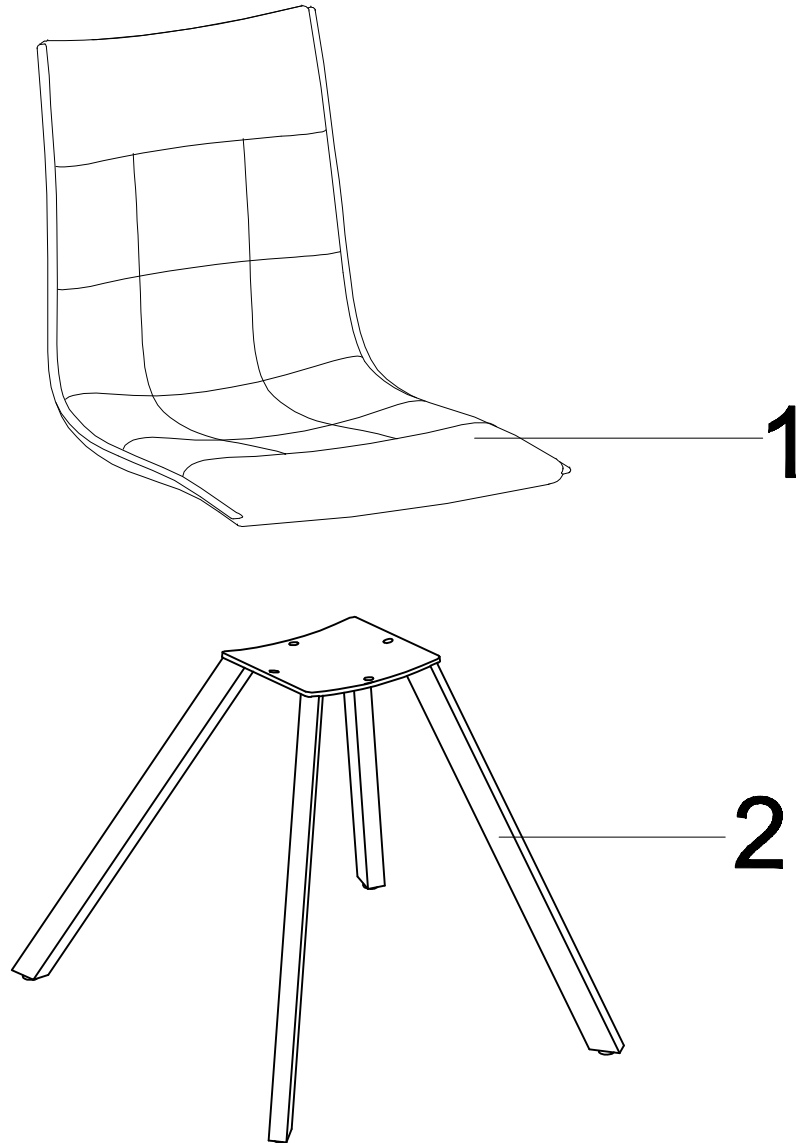


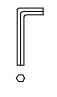


|          |   |           |
|----------|---|-----------|
| <b>A</b> |  | <b>x4</b> |
| <b>B</b> |  | <b>x4</b> |

# ASSEMBLY INSTRUCTIONS

DINING CHAIR MODEL#:HYC378



|  |  |  |
|--|--|--|
| <br><b>x1</b> | <br><b>0:10</b> | <br><b>x1</b> |
|--|--|--|

# Step: 1

