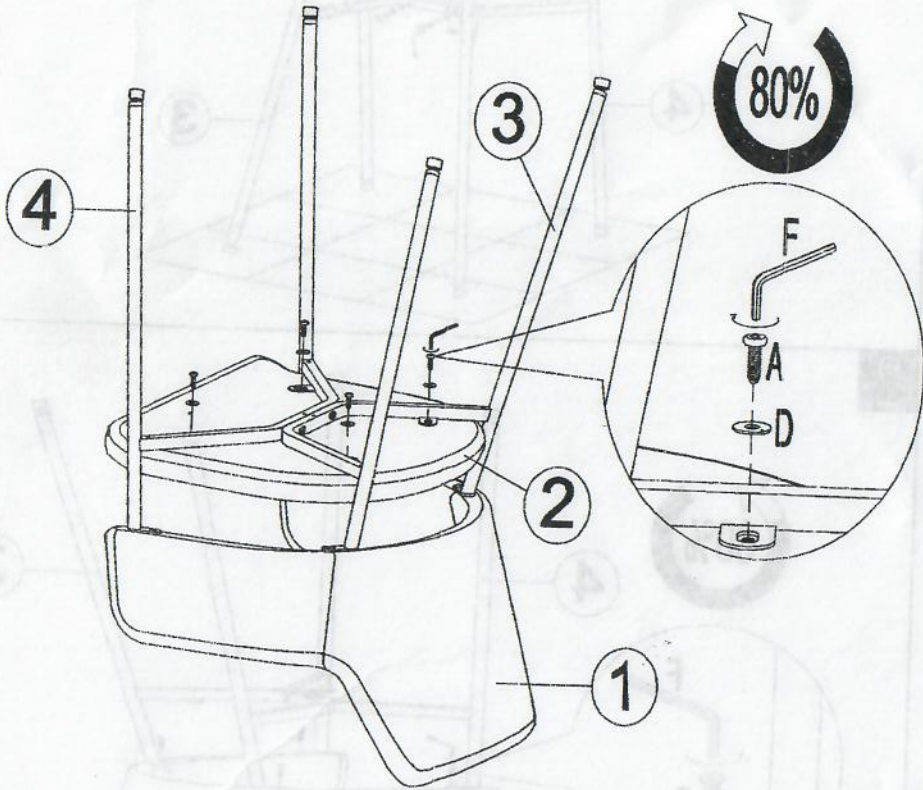


WCH-WETRF 02

3



4

